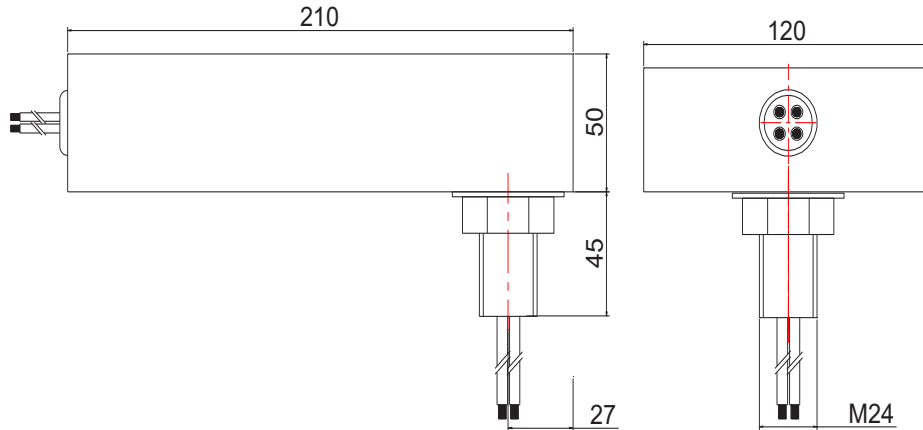


# SIGNAL LINE FILTER 8090-10-1-6MHZ INSTALLATION MANUAL

## Type

8090-10-1-6MHz

## Dimensions



## Technical data

Rated Voltage: 250VDC

Pass band: 0-6MHz

Rated Current: 5-2x1A

## Assembly parts

M24 Conduit Screw: 1pc

Gasket 24: 1pc

M24 Screw Nut: 1pc

EMI Gasket: 1pc

## Installation Diagram

