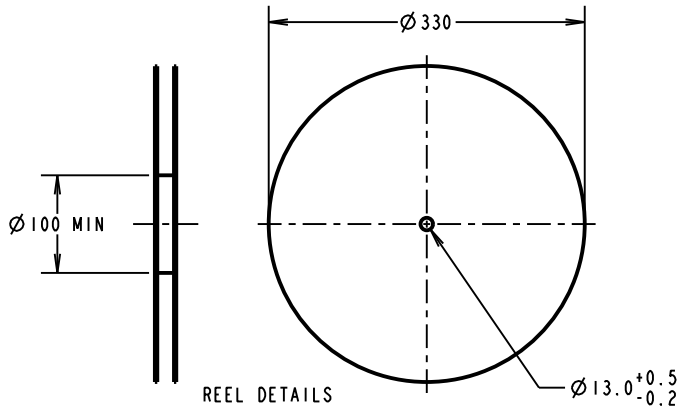
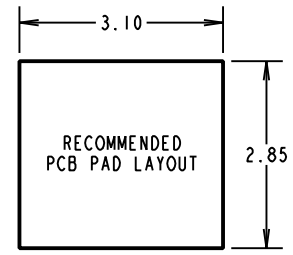
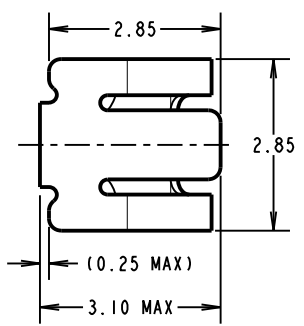
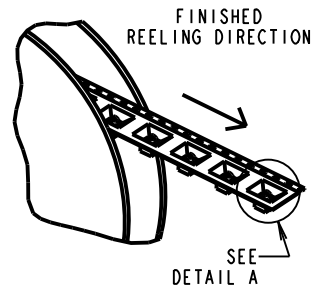
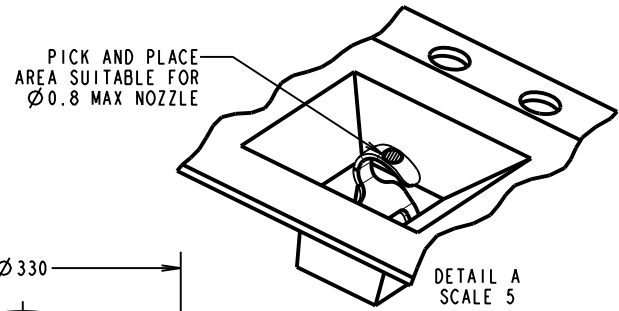
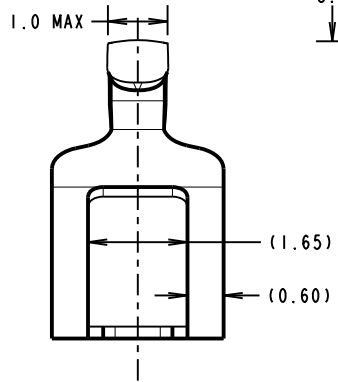
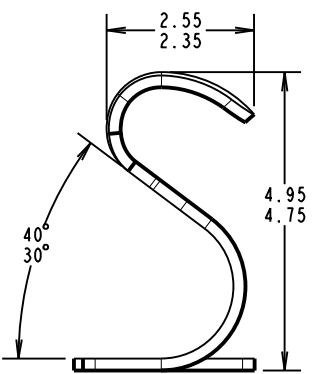
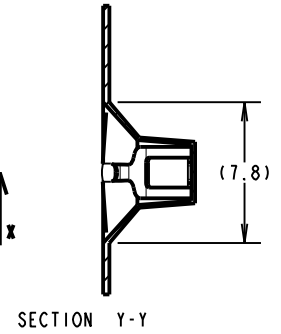
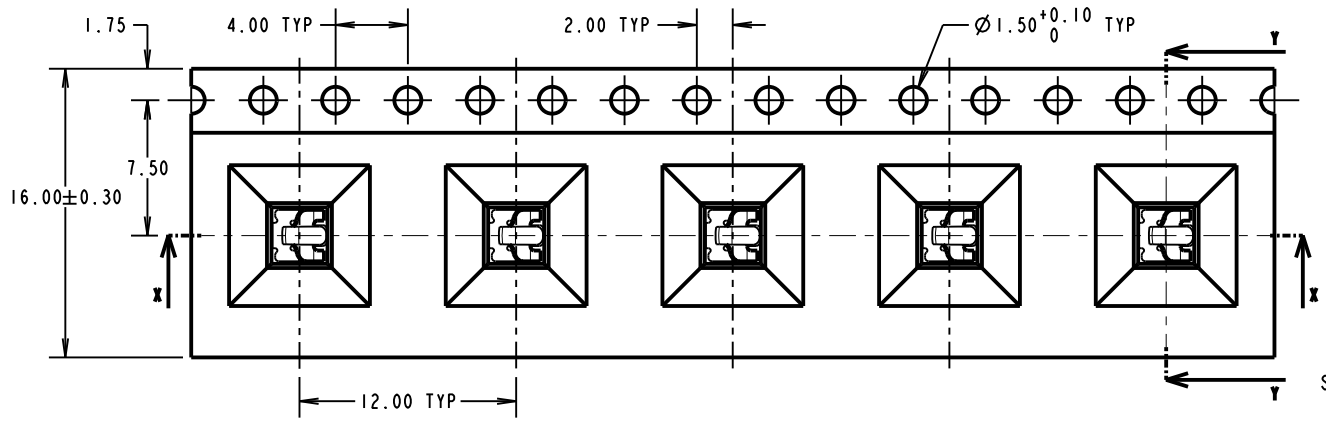


2901-15 - 4.85mm high S-Shaped Spring Contact (Tin)

Drawing Number: 14482 All dimensions in mm Need to scale Third angle protection

- NOTES:
 1. SPRING FORCE WHEN DEPRESSED BY:
 0.5mm = 5N MIN, 11N MAX, 1.0mm = 10N MIN, 14N MAX.
 2. CONTACT SUITABLE FOR PICK AND PLACEMENT.
 3. QUANTITY OF COMPONENTS PER REEL = 900.



SPECIFICATION:
 ELECTRICAL:
 CURRENT RATING = 2A

Holland Shielding Systems BV
 info@hollandshielding.com
 +31(0)78-2049000

Tolerances
 x. = -1mm
 xx = -0.50mm
 xxx = -0.10mm
 xxxx = -0.01mm
 Angles = -5°
 Unless stated

Material: See above
 Finish: See above
 S/Area: mm²

Title: 2901-15 - 4.85mm high S-Shaped Spring Contact (Tin) Technical Drawing
 Drawing: 2901-15 - 4.85mm

	20-06-2016	14482
	Date	Number
Approved: Arend Langendam		
Drawing: Christian van Vugt		
Customer reference:		
Assembly DRG:		