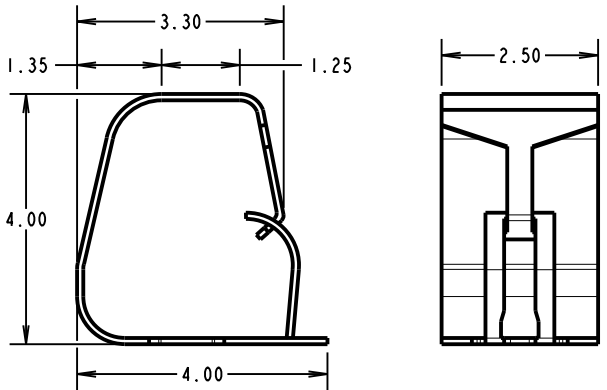
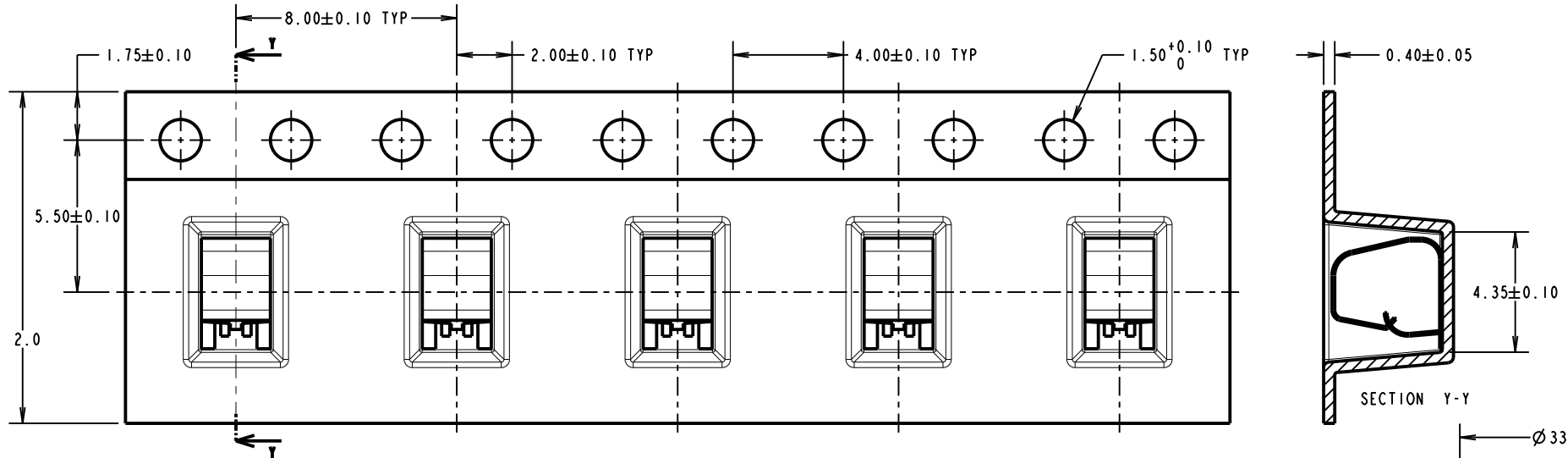
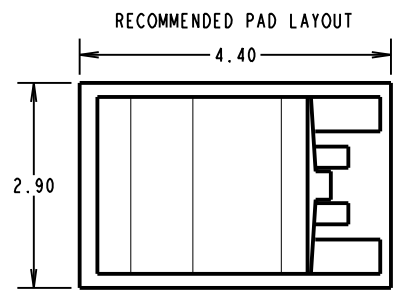


# 2901-10 - 4.0mm high Spring Contacts

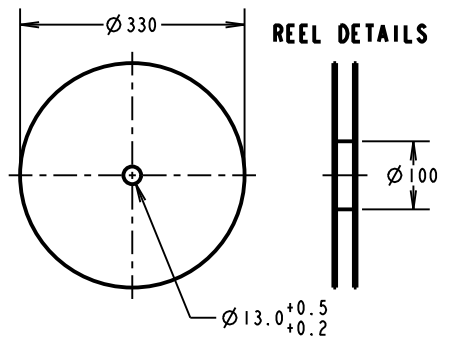
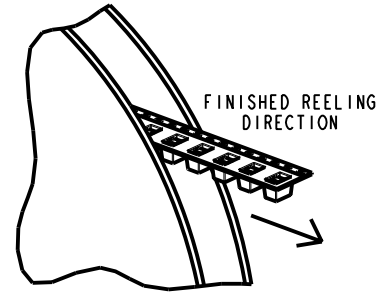
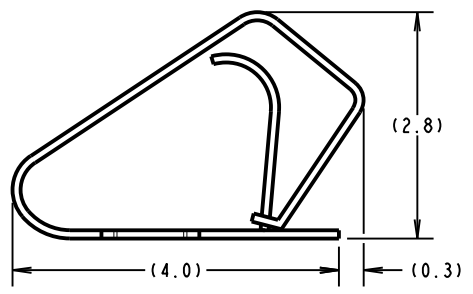
Drawing Number: 14477 | All dimensions in mm | Need to scale | Third angle protection



COMPONENT DETAILS



COMPONENT AT MINIMUM RECOMMENDED HEIGHT



**COMPONENT SPECIFICATION**  
 MATERIAL = TITANIUM COPPER ALLOY,  
 0.10mm THICK  
 FINISH = 0.7µ-1.3µ NICKEL, GOLD FLASH  
 ON CONTACT AND 2.54µ MIN 100%  
 MATTE TIN ON FOOT AREA.  
 RECOMMENDED WORKING HEIGHT = 3.40mm / MIN FORCE OF 1.2N  
 RECOMMENDED MINIMUM WORKING HEIGHT = 2.80mm  
 ELECTRICAL:  
 CURRENT RATING = 5A  
 MECHANICAL:  
 DURABILITY = 1500 CYCLES  
 ENVIRONMENTAL:  
 OPERATING TEMPERATURE = -55°C TO +125°C

**NOTES:**  
 1. QUANTITY PER REEL = 2000.  
 2. ALL TOLERANCES ARE: X.X = ±0.30mm  
 X.XX = ±0.15mm  
 UNLESS OTHERWISE STATED.

**Holland Shielding Systems BV**  
 Jacobus lipsweg 124  
 3316BP Dordrecht  
 the Netherlands  
 E-mail: info@hollandshielding.com  
 Phone: +31(0)78-2049000  
 Fax: +31(0)78-2049008

Tolerances	
x	= -1mm
xx	= -0.25mm
xxx	= -0.1mm
xxxx	= 0.1mm
Angles	Unless stated

Material:	See above
Finish:	See above
S/Area:	mm <sup>2</sup>

Title:	2901-10 - 4.0mm high Spring Contacts
Drawing:	2901-10 - 4.0mm

Date	20-06-2016	Number	14477
Approved: Arend Langendam			
Drawing: Christian van Vugt			
Customer reference:			
Assembly DRG:			