

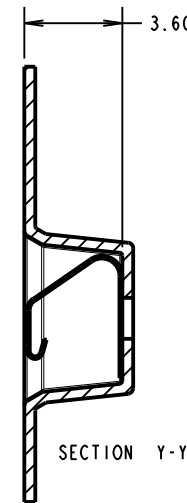
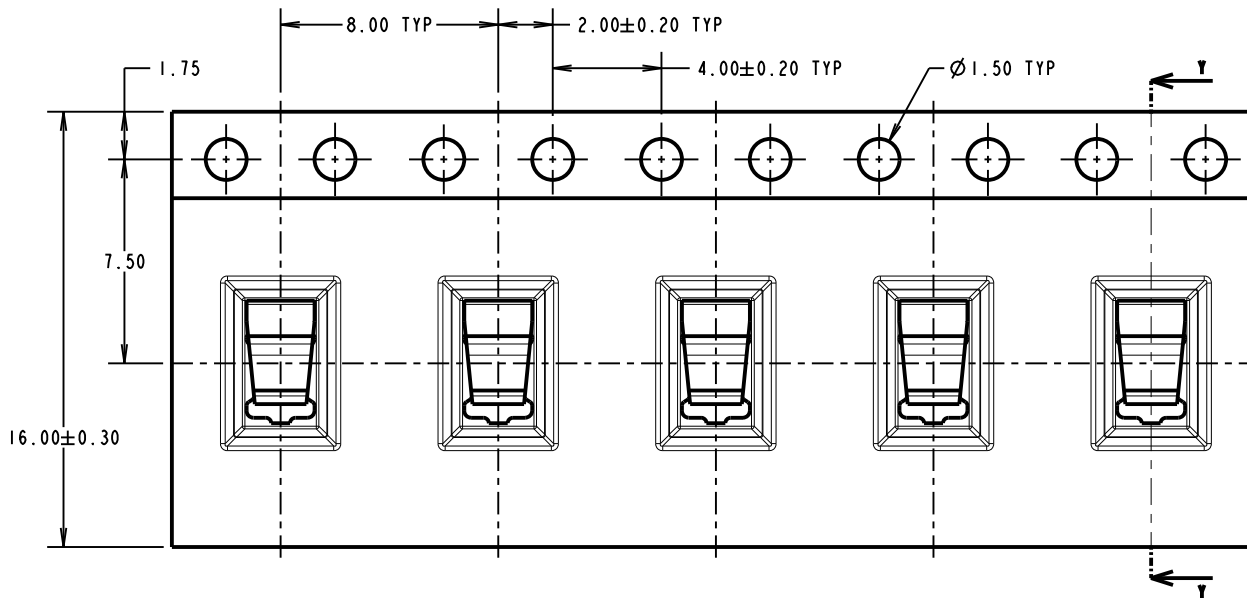
# 2901-06 - 3.5mm high Spring Contact (Selective Gold)

Drawing Number: 14473

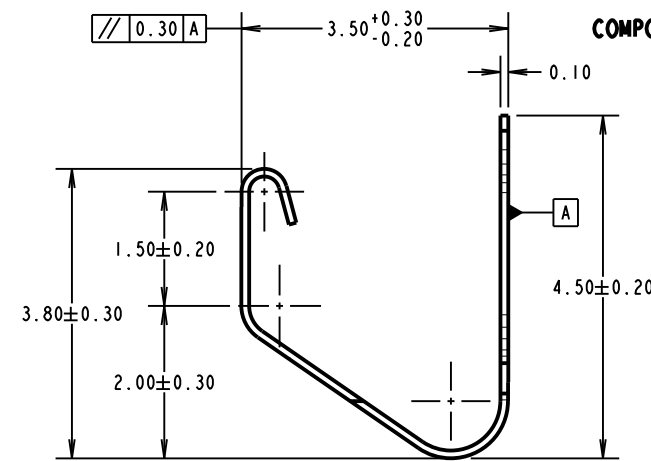
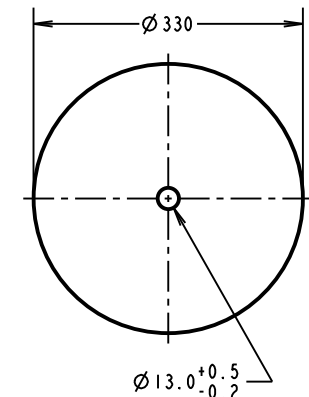
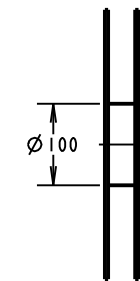
All dimensions in mm

Need to scale

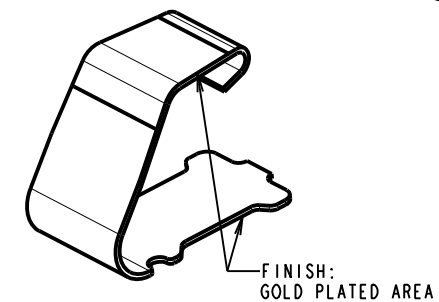
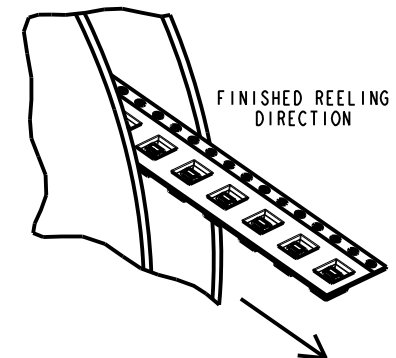
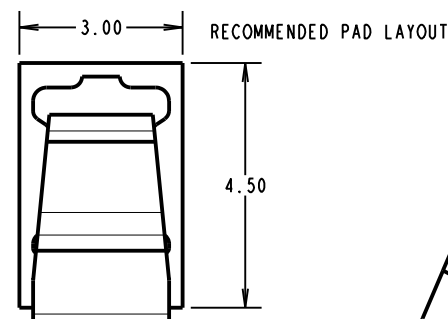
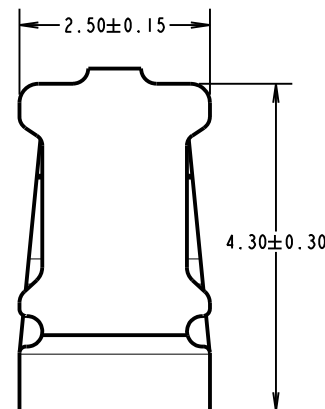
Third angle projection



## REEL DIMENSIONS



## COMPONENT DETAILS



**COMPONENT SPECIFICATION:**  
 MATERIAL = TITANIUM COPPER ALLOY,  
 RECOMMENDED WORKING HEIGHT = 2.50mm / MIN FORCE = 1.5N  
 MINIMUM WORKING HEIGHT = 1.75mm / MAX FORCE = 8.5N  
**ELECTRICAL:**  
 CURRENT RATING = 4A  
**MECHANICAL:**  
 DURABILITY = 1500 CYCLES  
**ENVIRONMENTAL:**  
 OPERATING TEMPERATURE = -55°C TO +125°C

**NOTES:**  
 1. QUANTITY PER REEL = 2000.

**Holland Shielding Systems BV**

Holland Shielding Systems BV  
 Jacobus lipsweg 124  
 3316BP Dordrecht  
 the Netherlands

E-mail: info@hollandshielding.com  
 Phone: +31(0)78-2049000  
 Fax: +31(0)78-2049008

Tolerances  
 x. = -1mm  
 xx = -0.25mm  
 xxx = -0.10mm  
 xxxx = -0.01mm  
 Angles = -5°  
 Unless stated

Material: See above  
 Finish: See above  
 S/Area: mm<sup>2</sup>

Title: 2901-06 - 3.5mm high Spring Contact (Selective Gold) Technical Drawing  
 Drawing: 2901-06 - 3.5mm

	20-06-2016	14473
	Date	Number
Approved: Arend Langendam		
Drawing: Christian van Vugt		
Customer reference:		
Assembly DRG:		