

# TECHNICAL DRAWING P

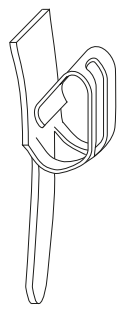


Drawing Number: 14467

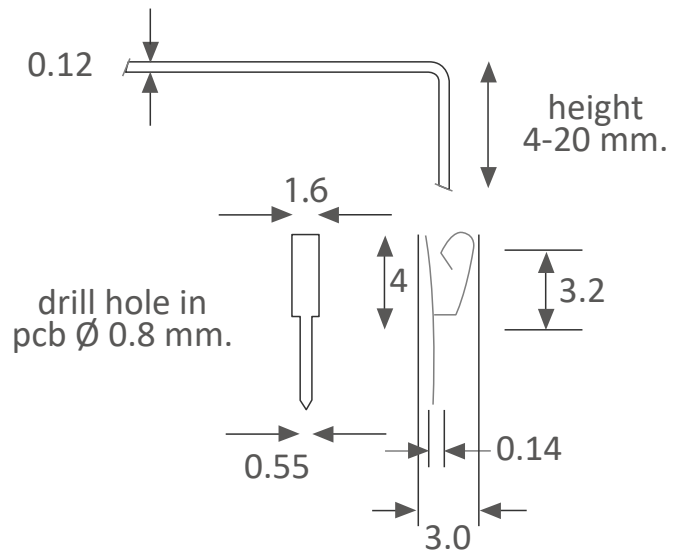
All dimensions in mm

Need to scale

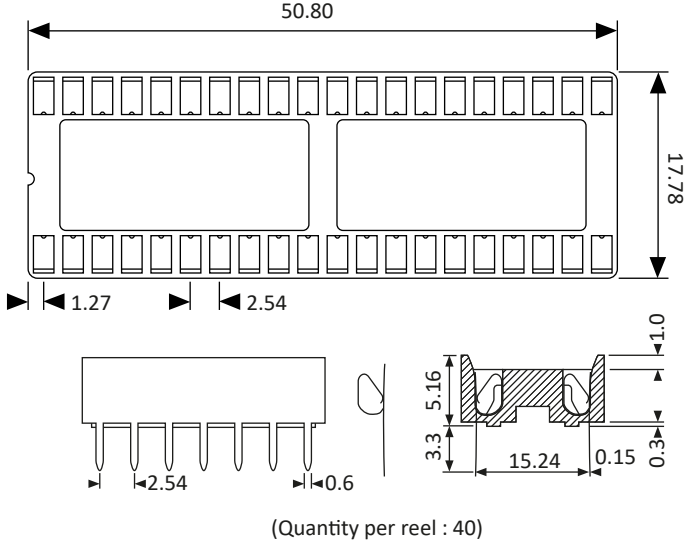
Isometric drawing



2d drawing



Plastic Carrier specification (Antistatic material)



- Note
1. Contact Material : Phosphor Bronze
  2. Finish : Ni, Sn
  3. Mechanical characteristics :
    - Contact resistance : 20mΩ max
    - Insulation resistance : 5000MΩ min
    - Current rating : 1A
  4. Environmental characteristics :
    - Operating temperature range : -25°C - +85°C
    - Storage temperature range : -40°C TO +85°C
- This specification will be changed without previous notice)



Jacobus IJpsweg 124  
3316BP Dordrecht  
the Netherlands

E-mail: info@hollandshielding.com  
Phone: +31 (0)78 - 613 13 66  
Fax: +31 (0)78 - 614 95 85

Title:	Drawing Pin Clip
Drawing:	P
Number:	14467
Date:	12-05-2014
Drawing by:	Christian van Vugt
Finish:	Tin over nickel
Dimension classification:	★ Critical ▼ Major () Reverence
Tolerance	.X ±0.25 .XX ±0.10