

# TECHNICAL DRAWING UTC

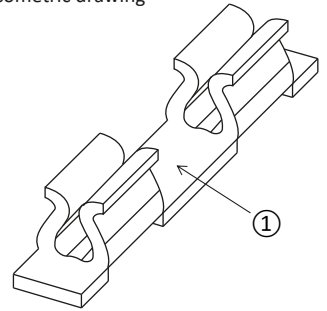


Drawing Number: 14463

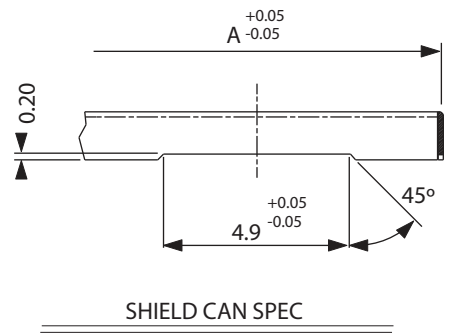
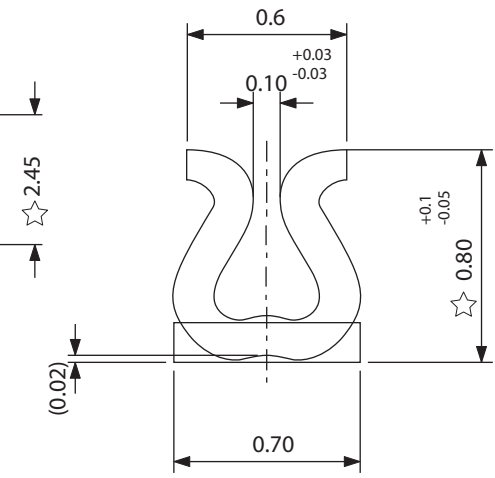
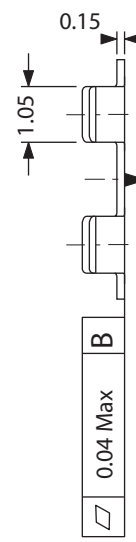
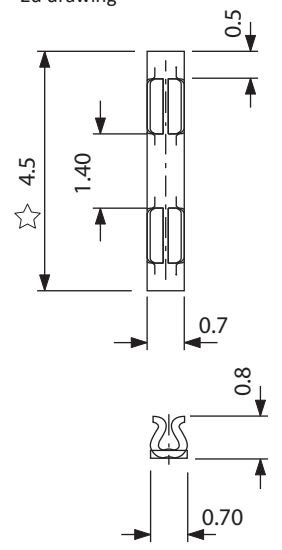
All dimensions in mm

Need to scale

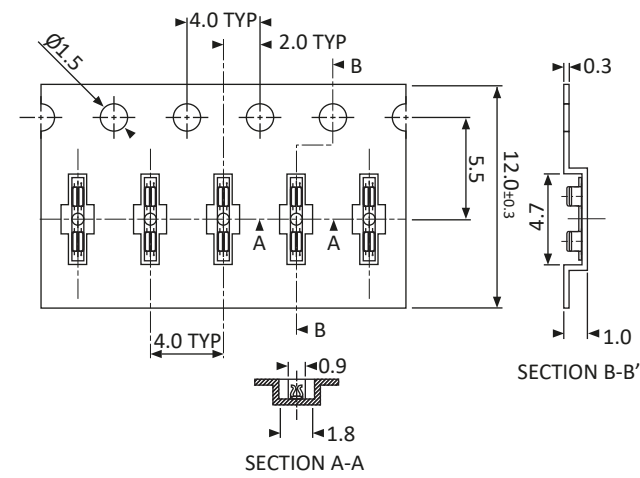
Isometric drawing



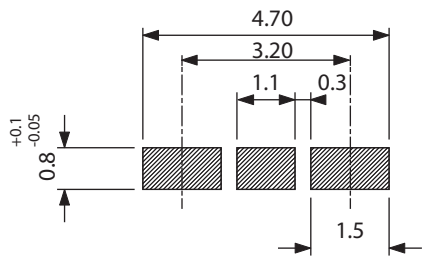
2d drawing



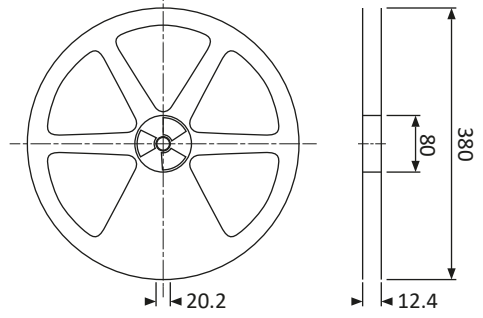
Plastic Carrier specification (Antistatic material)



Recommended solder land size



Plastic reel drawing



(Quantity per reel :20.000)

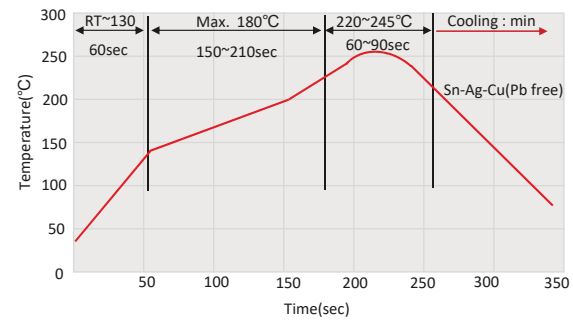
Note

- Material : Stainless steel SUS301-1/2H
  - Finish : Nickel (Ni) plated and afterwards matte tin (Sn) plated
  - Mechanical characteristics :
    - Insertion force : 0.1~2.0 kgf
    - Withdrawal force : 0.1~2.0 kgf
    - Durability : 10 Insertions Minimum.
    - Contact resistance : 100mΩ Max.
    - Shield thickness : 0.15mm ~ 0.20mm
  - Environmental characteristics :
    - Operating temperature range : -25°C TO +150°C
    - Storage temperature range : -40°C TO +85°C
    - Salt spray test : None corrosion. Meet Eu-RoHS
- This specification will be changed without previous notice)

Characteristics of each material

No.	Material Name	Specification	Material
1	Stainless steel	Thickness : 0.15 ± 0.01	SUS 301-1/2H

Reflow soldering condition



**Holland Shielding Systems BV**

Jacobus Ippsweg 12-4  
3316BP Dordrecht  
the Netherlands

E-mail: info@hollandshielding.com  
Phone: +31 (0)78 - 613 13 66  
Fax: +31 (0)78 - 614 95 85

Title: Drawing Ultra Tiny clip  
 Drawing: Ultra Tiny clip  
 Number: 14463  
 Date: 12-05-2014  
 Drawing by: Christian van Vugt  
 Finish: Tin over nickel  
 Dimention classification: ★Critical  
 ▼Major  
 () Reverence  
 Tolerance: .X ±0.25  
 .XX ±0.10